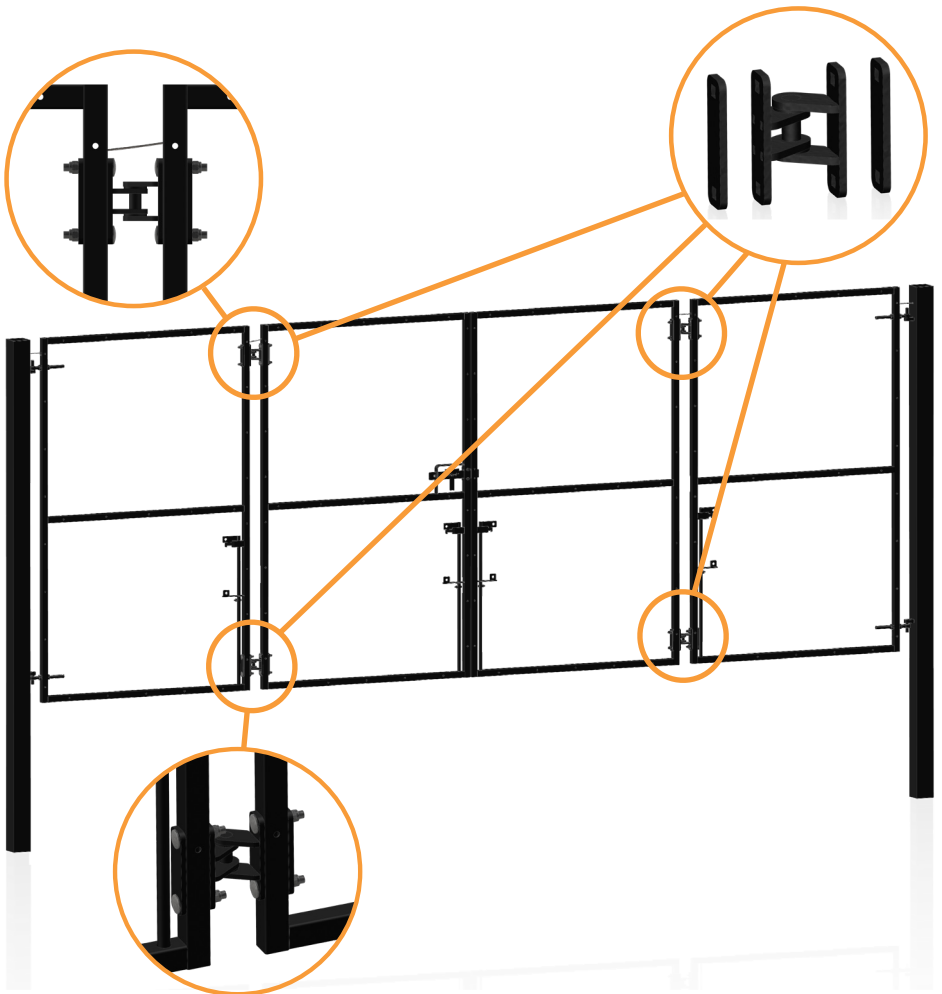


Bi-Folding Gate Sets Instructions

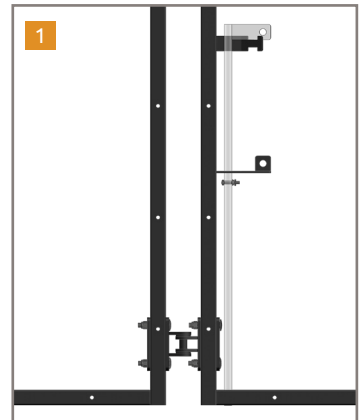


SiteGard™

Bi-Folding Gate Set Instructions

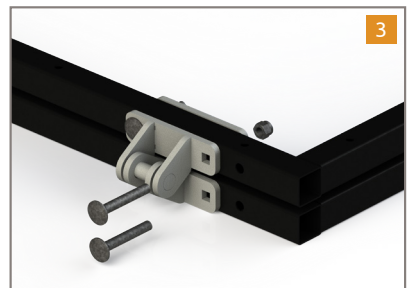
Please follow these instructions carefully to ensure gate is constructed correctly and no damage occurs to the gates.

1 Ensure the drop bolts are **not** installed, as they will prevent the hinge fixing bolts being inserted.

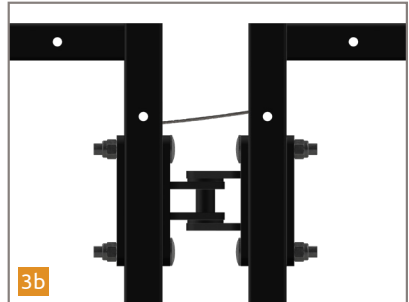
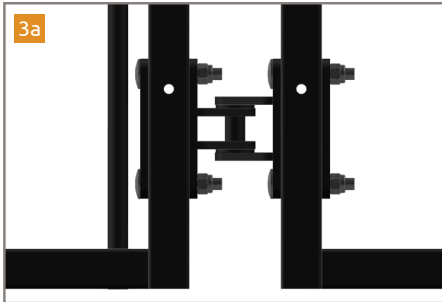


2 Lie the male slide leaf down with the attack face on the ground. Stack the left-hand hinge leaf on top, with the attack face upwards, ensuring the 4 bifold hinge holes are aligned.

3 Using the supplied M12 bolts, mount the hinges on the leaves using the four mounting holes, ensuring that the hinge backing plates provided are used. **Failure to use the backing plates could result in failure of the hinges.**



3 Where there will be a drop bolt mounted, it is necessary to insert the head of the bolt on the inside of the leaf. In all other places, fit the bolts such that the head of the bolt is on the exposed face of the gate. This results in the nut being protected from any tampering as it is shielded by the mesh/hoarding panels.



4 Tighten the nyloc nuts evenly. Do not overtighten the nuts, as this could result in failure of the hinge and the gate.

5 Repeat steps 1-4 with the female slide leaf and hinge leaf.

6 Hang the gate leaves as normal on the posts, adjusting the eyebolts to align the leaves.

7 Double check that all the hinges are aligned correctly, they should be fixed so that the 'V' of the hinges points in to the site, away from the attack face.



8 With the gate leaves hung, check all nuts on the bifold hinges to make sure they are tightened securely.

9 The finished Bi-Folding Gate Sets should look like this:

