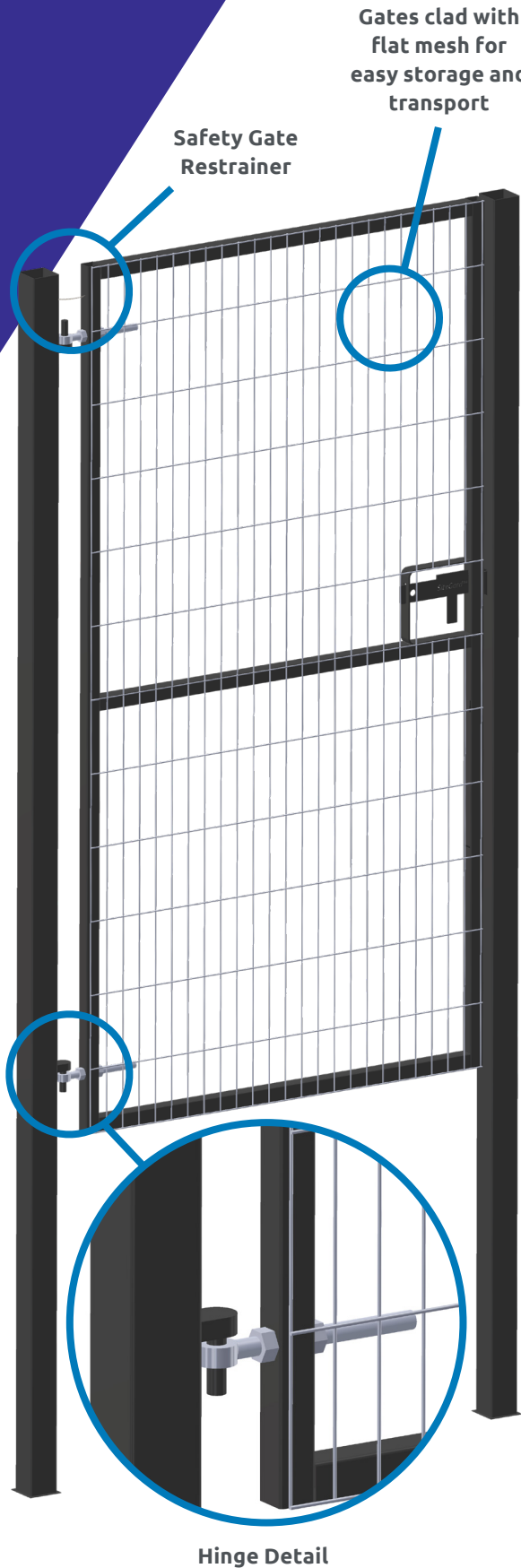


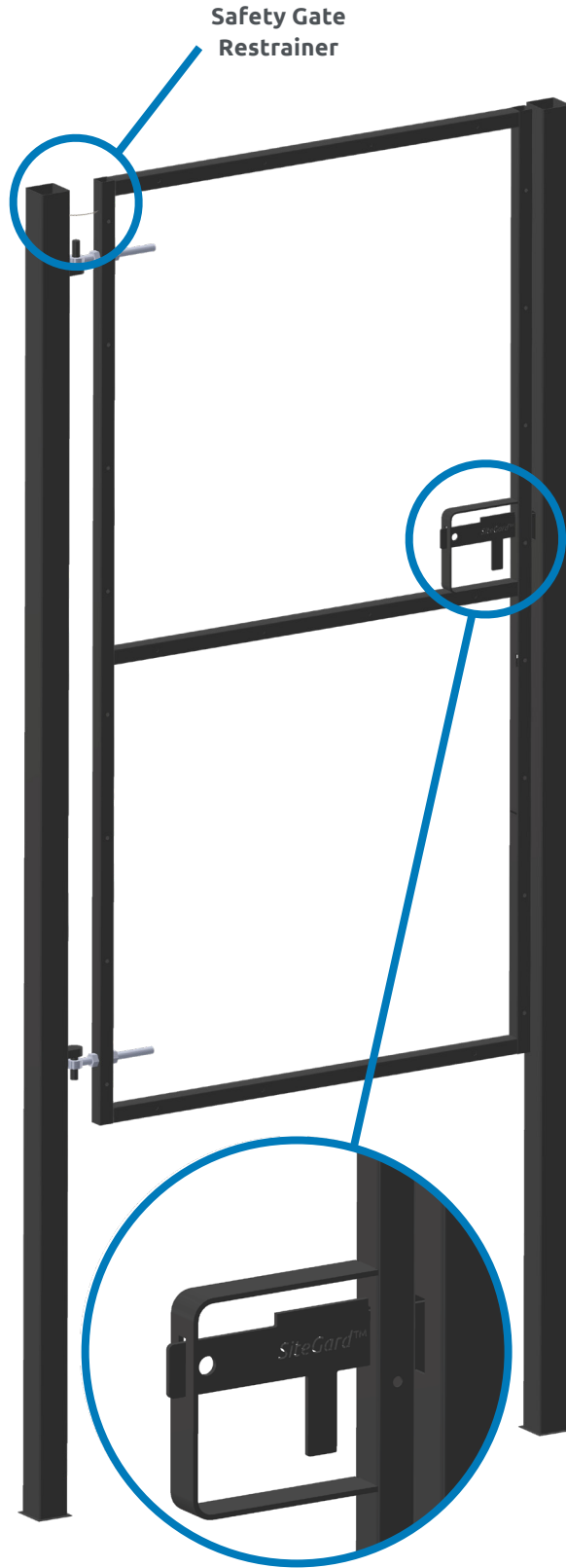
SiteGard™ Single Leaf Gate Mesh & Ply Clad



Gates clad with flat mesh for easy storage and transport

Safety Gate Restrainer

Hinge Detail



Safety Gate Restrainer

Padlockable Slide Bolt Detail

Suitable For:

Construction Site,
Building Site Access

SiteGard™ – Single Leaf Mesh & Ply Clad Single Leaf Hoarding Gate – Mesh/Timber

A single leaf gate provides easy pedestrian access into any secure site for construction workers and other site personnel. The mesh clad option ensures good visibility at the pedestrian entrance/exit helping to improve safety with construction traffic. These gates are

manufactured in our own workshops and certain types held in stock (indicated in the table below) giving you the opportunity to secure site personnel entrances quickly and effectively.

Product and Finish Standards

- Gate frame and posts powder coated black over bare steel
- All stock gates come as standard 2.4m high and are either mesh clad or clad with ply (supplied and fitted by others). Gate set includes 1No.gate leaf, 2No.dig-in type posts, padlockable slidelatch and 2No.adjustable hinges.
- All stock gates come with Safety Gate Restrainers as standard.

Options

- Base plated posts (where soft dig isn't an option) see Fig.B below
- Strapped posts (to bolt to pre-formed concrete blocks) see Fig.A below
- Bespoke height and widths available to order as per customers requirements

Loadings

This structure has been designed in accordance with the following guidance:

- BS EN 1991-1-4:2005 - Wind Actions & TG20-13 Wind Guidance
- BS 5975:2008 - Code of practice for temp. works procedures and the permissible stress design of falsework
- BS 6180:2011 - Table 2

- TWf 2012:01 HOARDINGS: A guide to good practice
- BS EN 1990- Basis of structural design
- BS EN 1993-1-1 Design of steel structures- General rules and rules for buildings
- BS EN 1990- Basis of structural design
- BS EN 5950-Steel member design

Gate Code	Height	Width (nominal)	Gate Frame Size SHS	Post Size/Length	Cladding Mesh/Timber
SGSLCLDG2413BK	2400mm	1.2m	40mmSHS	80mmSHS x 3.2m	200 X 50mm
SGSLUNDG2413BK	2400mm	1.2m	40mmSHS	80mmSHS x 3.2m	Timber

Subject to change

Post Options

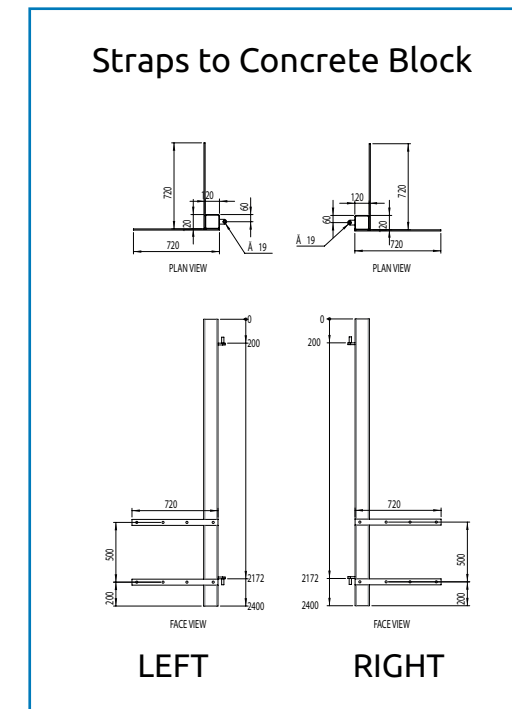


Fig A

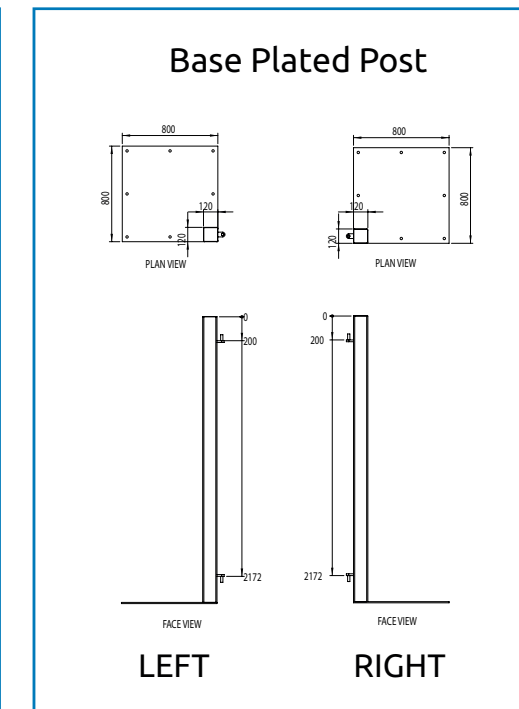


Fig B