



EN 12453
EN 12445
COMPLIANT



SPRINT

24V HYDRAULIC TRAFFIC BARRIER
MAX BEAM LENGTH **5M**
CYCLES PER HOUR UP TO **105**
LOCKING **YES**

- Low voltage barrier designed for beam lengths up to 5000 mm.
- All main components are manufactured and tested in-house ensuring the highest of engineering standards.
- Adjustable operating speeds.
- Key accessible manual release system in case of power failure.
- Steel casing processed with cathaphoresis and finished in polyester powder coat - stainless steel casings available.
- Casings are pre-drilled for photocells and key switches.
- Designed for use on busy entrances with a high level of safety provided as standard.
- Motor current sensing to provide stop and reverse safety as required by EN12453.
- Barrier beams are spring counterbalanced to reduce loadings on the motor, extending the life of the barrier.
- Left and right hand cabinets available.
- Battery backup system available.
- With a duty cycle of up to 70% and operating speeds of 8 - 12 seconds, the Sprint barrier can cope with the busiest of installations.
- Foundation plates, adjustable and flexible fork supports available.

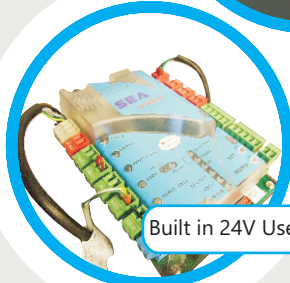
Internal View



Barrier Arm Attachment



Built in 24V User1 Control



SEA
The Engineers'
Choice!

SPRINT

Specifications

Supply Voltage	230Vac
Motor Power	24V
Motor current	4 amp
Opening speed	8-12 sec
Frequency of use	70%
Operating temperature	-20°C + 55°C
Operator Weight (without metal yoke attachment)	60 Kg
Max beam length	5 m

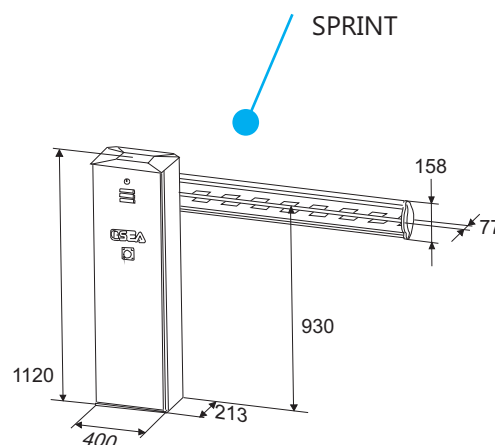
User 1 DG Control Panel

- Management for 1 24Vdc motors with or without limit switches
- Automatic logic (4 modes), semiautomatic and step by step logics.
- Electronic slow down in opening and closing.
- Pause open time regulation.
- Self-learning operating time for gate with limit switches or encoder
- Self-test on photocells.
- Self-diagnostic system.
- Encoder management (Safety Gate for swing gates).
- Diagnostic dashes on all inputs.
- Extractable connectors for ease of installation.
- Integrated receiver compatible with radio transmitters SMART, HEADROLL and LADYBIRD series (800 users).

Compatible accessories

- Fully compatible with all SEA accessories
- Compatible with most manufacturers of audio and video intercom equipment
- Digital code pads
- Card reader systems, stand alone and computer linked
- Time clocks and hold open switches
- Induction loop free entry, free exit and safety
- Photocell free entry, free exit and safety
- 8K2 resistive and NC mechanical safety edges
- Vehicle recognition systems
- Biometric identification systems

Dimensions (mm)



Accessories.

Loop detectors / Photocells / Key pads / Card readers / Transmitters & receivers / Telephone entry systems / Audio and video intercom systems wired and wireless.

Vehicle recognition systems / Biometric recognition systems / Patented rubber mechanical safety edge / Time clocks / Hold

SPRINT

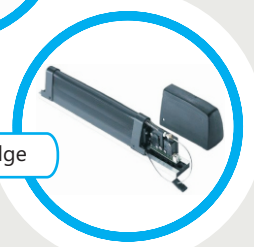
3.0 mtr	6mm
4.0 mtr	7mm
5.0 mtr	8mm



Fully Programmable with the Jolly Programmer



Foundation plate



Safety edge