



VELA INDUSTRIAL

230V HYDRAULIC TRAFFIC BARRIER

MAX BEAM LENGTH **7.5M**

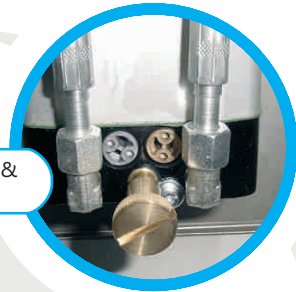
CYCLES PER HOUR UP TO **112**

LOCKING **YES**

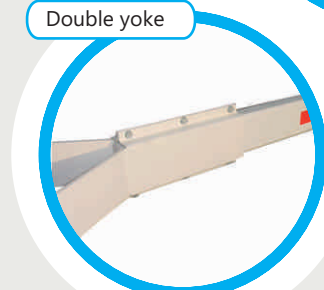


- Hydraulic barrier designed for beam lengths up to 7000 mm and tested in-house ensuring the highest of engineering standards.
- Double yoke beam carrier allows for 7500 mm widths.
- Hydraulic operation provides an extremely quiet, extremely robust system
- Safety valves in both directions of travel allow for accurate adjustment of operating pressures
- Key accessible manual release system in case of power failure
- Steel casing processed with cataphoresis and finished in polyester powder coat
- Stainless steel casings available
- Hydraulic slow down at end of travel in both directions provides smooth and safe barrier operation
- Designed for use on busy entrances with a high level of safety provided as standard
- Barrier beams are spring counterbalanced to reduce loadings on the motor, extending the life of the barrier
- Left and right hand cabinets available
- Double arm arrangement provides an extremely strong beam carrier
- Thermal overload built in to the motor to provide the highest level of protection
- Internal non return lock valves secure the barrier in all positions
- Operating speeds of 8 - 12 seconds
- Up to 75% duty cycle means that the Vela Industrial barrier can cope with the busiest of installations
- Foundation plates, adjustable and flexible fork supports available

manual release & safety valves



Double yoke



SEA

The Engineers' Choice!

Unit 2 Heron House, Ardath Road, Kings Norton, Birmingham, B38 9PJ

1 -4 Grange Mews, RO 28 The Grangeway, London, N21 2HG

sales@seauktd.co.uk
www.seauktd.co.uk

Birmingham Tel: 0121 433 3348
Birmingham Fax: 0121 433 9650
London Tel: 020 8360 8022
London Fax: 020 8364 2516

VELA INDUSTRIAL

Specifications

Supply Voltage	230Vac
Motor Power	230 W
Motor current	1.1 A
Opening speed	8 -12 sec
Frequency of use	75%
Thermal protect.	130° C
Operating temperature	-20°C + 55°C
Operator Weight (without metal yoke attachment)	73 Kgs
Oil quantity	1.5 lt
Max beam length	7.5 mtr
Protection class	IP55
Starting Capacitor	12.5 •uF

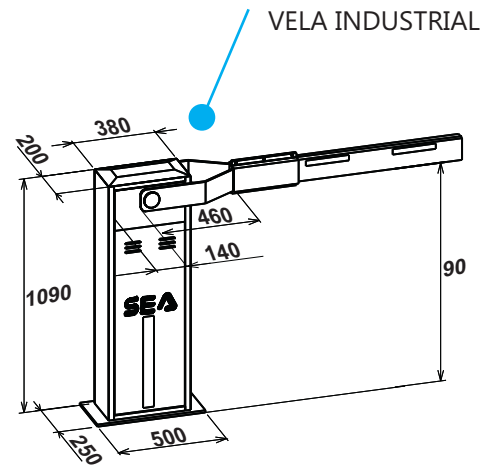
Gate 1 DG Control Panel

- Management for 1 230Vac motors with or without limit switchs
- Automatic logic (4 modes), semiautomatic and step by step logics.
- Electronic slow down in opening and closing.
- Pause open time regulation
- Self-learning operating time for gate with limit switches or encoder
- Self-test on photocells
- Self-diagnostic system
- Encoder management (Safety Gate for swing gates).
- Diagnostic dashes on all inputs.
- Extractable connectors for ease of installation.
- Integrated receiver compatible with radio transmitters SMART, HEADROLL and LADYBIRD series (800 users).

Compatible accessories

- Fully compatible with all SEA accessories
- Compatible with most maunfacturers of audio and video intercom equipment
- Digital code pads
- Card reader systems, stand alone and computer linked
- Time clocks and hold open switches
- Induction loop free entry, free exit and safety
- Photocell free entry, free exit and safety
- 8K2 resistive and NC mechanical safety edges
- Vehicle recognition systems
- Biometric identification systems

Dimensions in (mm)



Accessories.

Loop detectors / Photocells / Key pads / Card readers / Transmitters & receivers/ Telephone entry systems / Audio and video intercom systems wired and wireless.

Vehicle recognition systems / Biometric recognition systems / Patented rubber mechanical safety edge / Time clocks / Hold

VELA INDUSTRIAL SPEEDS 8.0 sec. 9.5 sec. 11.0 sec. 12.0 sec.

VELA INDUSTRIAL BEAM LENGTH 4.5 mtr 5.5 mtr 6.5 mtr 7.0 mtr

Fully Programmable with the Jolly Programmer

Foundation plate

Safety edge

